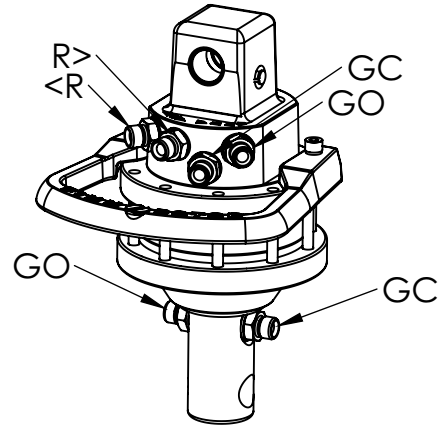
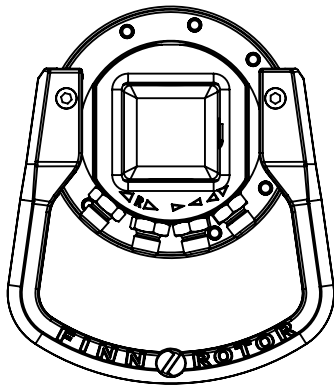
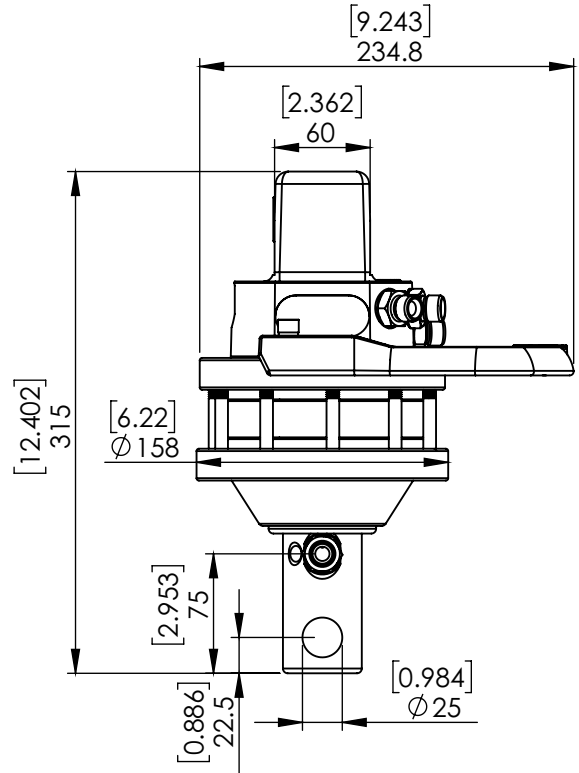
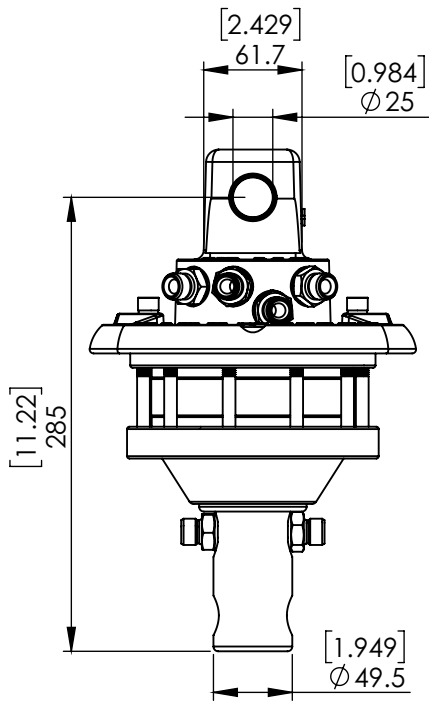


# 70320 CR 320-W25A25



ROTATION ANGLE

UNLIMITED

MAX PRESSURE (R) [BAR/PSI]

250 3626

MAX PRESSURE (GO) [BAR/PSI]

200 2901

MAX PRESSURE (GC) [BAR/PSI]

300 4351

DISPLACEMENT [cm<sup>3</sup>/Inch<sup>3</sup>]

330 20

TORQUE [Nm/lbf-ft]

900 664

MAX AXIAL LOAD STATIC [KN/lbf]

30 6744

MAX AXIAL LOAD DYNAMIC [KN/lbf]

15 3372

WEIGHT [kg/lb]

16 35

CONNECTIONS

G3/8" G3/8"

MAXIMUM OIL FLOW [LPM/GPM]

20 5.3